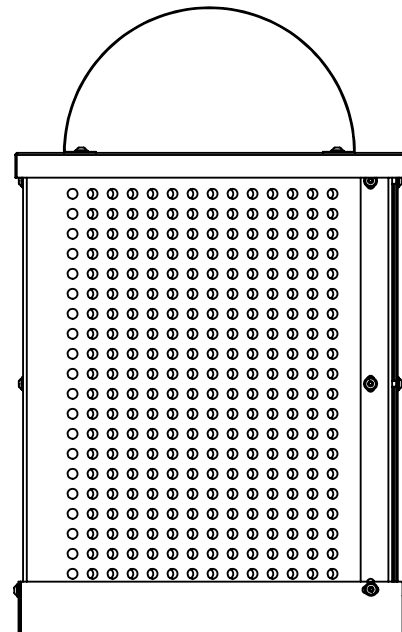
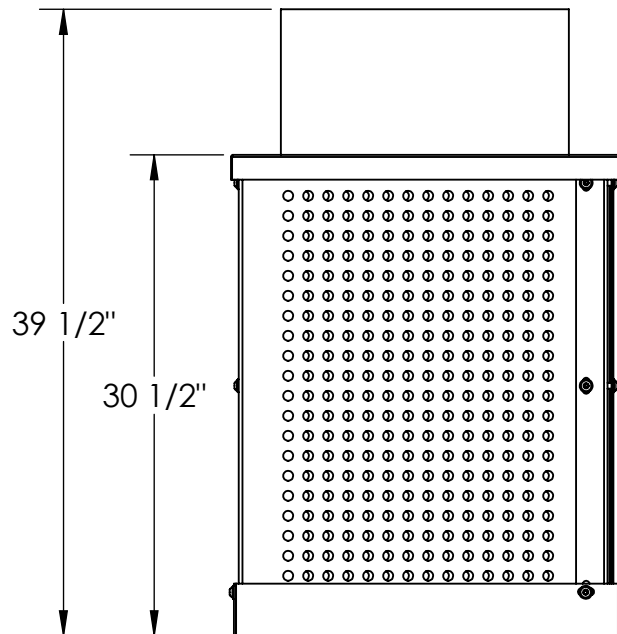
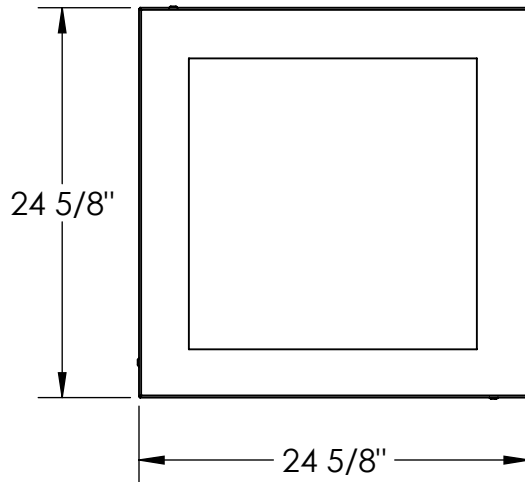


# 32 Gallon Perforated Square Receptacle

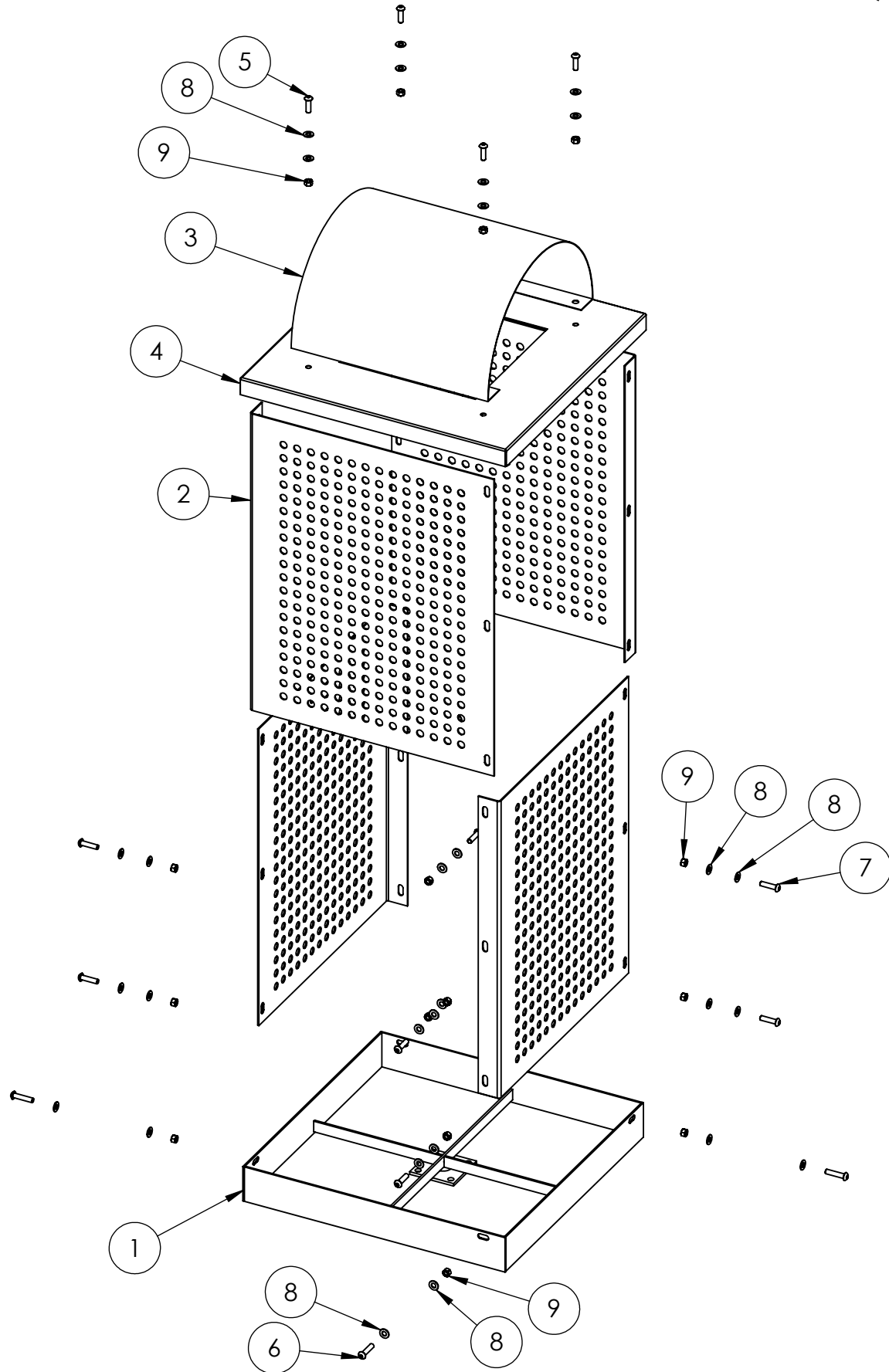
992-031



ITEM NO.	PART NUMBER	DESCRIPTION	QTY.
1	653-006	Receptacle Base	1
2	653-045	32 Gallon Perforated Side	4
3	653-011	Arch Lid	1
4	653-002	Square Receptacle Top	1
5	516-045	3/8"x1-1/4" SS Btn Skt Cap Screw	4
6	516-031	3/8"x1-3/4" SS Btn Skt Cap Screw	4
7	516-044	3/8"x1-1/2" SS Btn Skt Cap Screw	8
8	516-023	3/8" SS Flat Washer	32
9	516-028	3/8" SS Nylock Nut	16

# 32 Gallon Perforated Square Receptacle

992-031

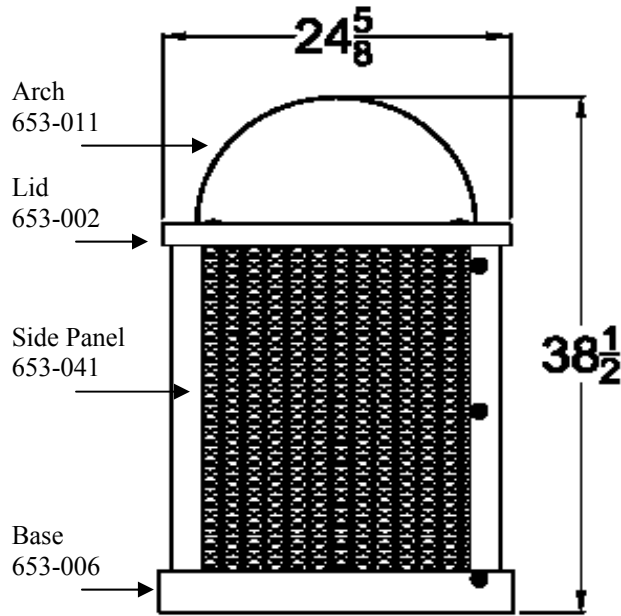


1. With a 7/16" drill bit, drill out the holes of the side panels, arch, lid, and base.
2. Making sure the smooth finished sides of the side panels are out, stand two of the side panels vertically and connect the angle mount of one side, and the flat mount of the other with the nuts, washers, and 3/8"x1-1/2" bolts. Leave the bottom holes open, they will be used to mount the side panels to the base once the assembly is complete.
3. Repeat this process with the remaining two side panels.
4. Connect the two assemblies to each other in the same manner as step two, creating a box.
5. Place the box into the base aligning the bottom holes with the holes of the base. Bolt the two pieces together.
6. Complete the top assembly by aligning the holes of the arch with the holes in the lid and bolt together with the nuts, washers, and 3/8"x1-1/4" bolts.
7. Place the lid assembly over the side assembly.
8. There is a chain loop mounted to the inside of the lid and base if a security chain is required.

In Accordance to California law: WARNING This product contains a chemical know to the State of California to cause cancer and birth defects or other reproductive harm.



993-031



Part No.	Description	Qty.
653-002	Receptacle Lid	1
653-006	Receptacle Base	1
653-011	Arch	1
653-044	Receptacle Side Panel	4
516-031	3/8"x1-3/4" SS Btn Skt Cap Scr	4
516-044	3/8"x1-1/2" SS Btn Skt Cap Scr	8
516-045	3/8"x1-1/4" SS Btn Skt Cap Scr	4
516-028	3/8" SS Nylock Nut	16
516-023	3/8" SS Flat Washer	32

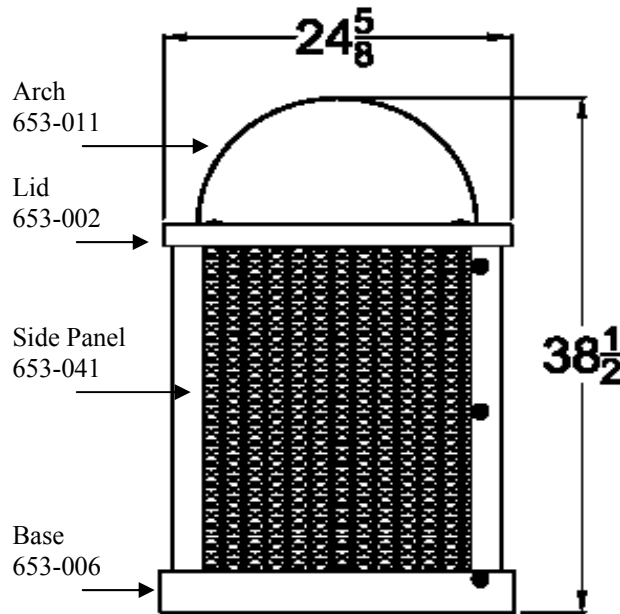
1. With a 7/16" drill bit, drill out the holes of the side panels, arch, lid, and base.
2. Making sure the smooth finished sides of the side panels are out, stand two of the side panels vertically and connect the angle mount of one side, and the flat mount of the other with the nuts, washers, and 3/8"x1-1/2" bolts. Leave the bottom holes open, they will be used to mount the side panels to the base once the assembly is complete.
3. Repeat this process with the remaining two side panels.
4. Connect the two assemblies to each other in the same manner as step two, creating a box.
5. Place the box into the base aligning the bottom holes with the holes of the base. Bolt the two pieces together.
6. Complete the top assembly by aligning the holes of the arch with the holes in the lid and bolt together with the nuts, washers, and 3/8"x1-1/4" bolts.
7. Place the lid assembly over the side assembly.
8. There is a chain loop mounted to the inside of the lid and base if a security chain is required

In Accordance to California law: WARNING This product contains a chemical know to the State of California to cause cancer and birth defects or other reproductive harm.

*Periodic check of bolt tightness recommended.*



994-031



Part No.	Description	Qty.
653-002	Receptacle Lid	1
653-006	Receptacle Base	1
653-011	Arch	1
653-043	Receptacle Side Panel	4
516-031	3/8"x1-3/4" SS Btn Skt Cap Scr	4
516-044	3/8"x1-1/2" SS Btn Skt Cap Scr	8
516-045	3/8"x1-1/4" SS Btn Skt Cap Scr	4
516-028	3/8" SS Nylock Nut	16
516-023	3/8" SS Flat Washer	32

1. With a 7/16" drill bit, drill out the holes of the side panels, arch, lid, and base.
2. Making sure the smooth finished sides of the side panels are out, stand two of the side panels vertically and connect the angle mount of one side, and the flat mount of the other with the nuts, washers, and 3/8"x1-1/2" bolts. Leave the bottom holes open, they will be used to mount the side panels to the base once the assembly is complete.
3. Repeat this process with the remaining two side panels.
4. Connect the two assemblies to each other in the same manner as step two, creating a box.
5. Place the box into the base aligning the bottom holes with the holes of the base. Bolt the two pieces together.
6. Complete the top assembly by aligning the holes of the arch with the holes in the lid and bolt together with the nuts, washers, and 3/8"x1-1/4" bolts.
7. Place the lid assembly over the side assembly.
8. There is a chain loop mounted to the inside of the lid and base if a security chain is required

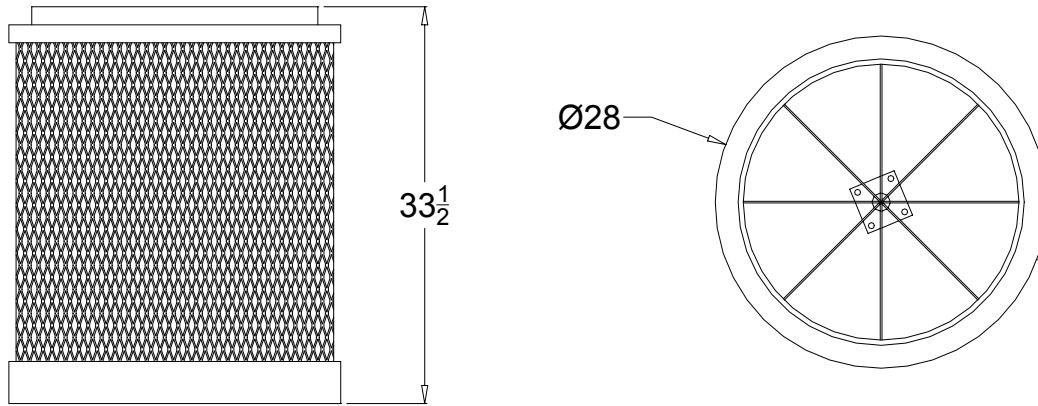
In Accordance to California law: WARNING This product contains a chemical know to the State of California to cause cancer and birth defects or other reproductive harm.

*Periodic check of bolt tightness recommended.*



# 995-031

## 995-031 ROUND RECEPTACLE



Part No.	Description	Qty.
653-121	Round Receptacle Lid	1
653-106	Round Receptacle Base	1
653-141	Round Receptacle Side	1
516-045	3/8"x1-1/4" Btn Skt Cap Scr	4
516-058	3/8"x1-1/2" Hex Head	4
516-028	3/8" SS Nylock Nut	8
516-023	3/8" SS Flat Washer	16

### Assembly Instructions

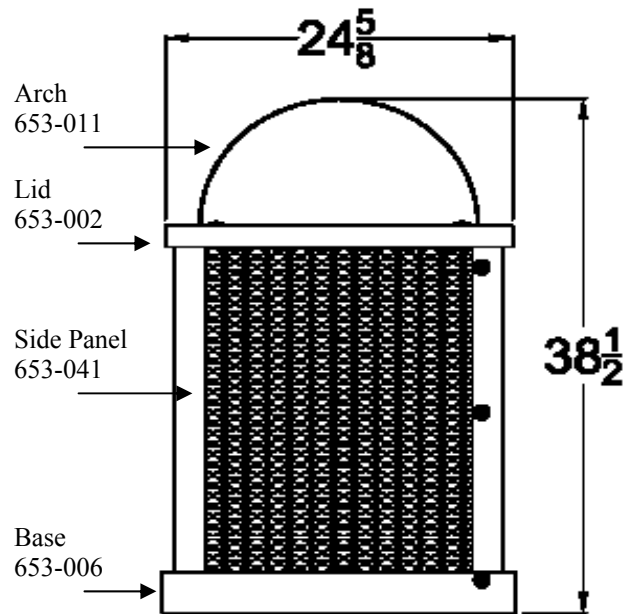
- 1 Drill out the holes in the side with a 7/16" dia. drill bit. Also drill out the holes in the side of the base and top.
- 2 Roll the side so that the angles at each end are on the inside of the tube. Two ratchet type load binders work well for this. Then bolt the ends together with the 1-1/2" long Hex Head Screws.
- 3 If you are mounting the receptacle in place, drill out the four holes in the bottom plate of the base with a 7/16" dia drill bit and fasten to the floor with the appropriate fasteners. Skip this step if the receptacle will be free standing.
- 4 Place the side into the base and align the holes on the side of the base with the openings in the expanded metal side. Use the 1-1/4" long Button Socket Cap Screws so fasten the base to the side.
- 5 Install the top ring to the side and align the holes on the side of the top ring with the openings in the expanded metal side. Use the 1-1/4" long Button Socket Cap Screws so fasten the top to the side.

In Accordance to California law: WARNING This product contains a chemical know to the State of California to cause cancer and birth defects or other reproductive harm.

*Periodic check of bolt tightness recommended.*



993-031, 994-031, 996-031



Part No.	Description	Qty.
653-002	Receptacle Lid	1
653-006	Receptacle Base	1
653-011	Arch	1
653-041	Receptacle Side Panel	4
516-031	3/8"x1-3/4" SS Btn Skt Cap Scr	4
516-044	3/8"x1-1/2" SS Btn Skt Cap Scr	8
516-045	3/8"x1-1/4" SS Btn Skt Cap Scr	4
516-028	3/8" SS Nylock Nut	16
516-023	3/8" SS Flat Washer	32

1. With a 7/16" drill bit, drill out the holes of the side panels, arch, lid, and base.
2. Making sure the smooth finished sides of the side panels are out, stand two of the side panels vertically and connect the angle mount of one side, and the flat mount of the other with the nuts, washers, and 3/8"x1-1/2" bolts. Leave the bottom holes open, they will be used to mount the side panels to the base once the assembly is complete.
3. Repeat this process with the remaining two side panels.
4. Connect the two assemblies to each other in the same manner as step two, creating a box.
5. Place the box into the base aligning the bottom holes with the holes of the base. Bolt the two pieces together.
6. Complete the top assembly by aligning the holes of the arch with the holes in the lid and bolt together with the nuts, washers, and 3/8"x1-1/4" bolts.
7. Place the lid assembly over the side assembly.
8. There is a chain loop mounted to the inside of the lid and base if a security chain is required

In Accordance to California law: WARNING This product contains a chemical know to the State of California to cause cancer and birth defects or other reproductive harm.

*Periodic check of bolt tightness recommended.*

