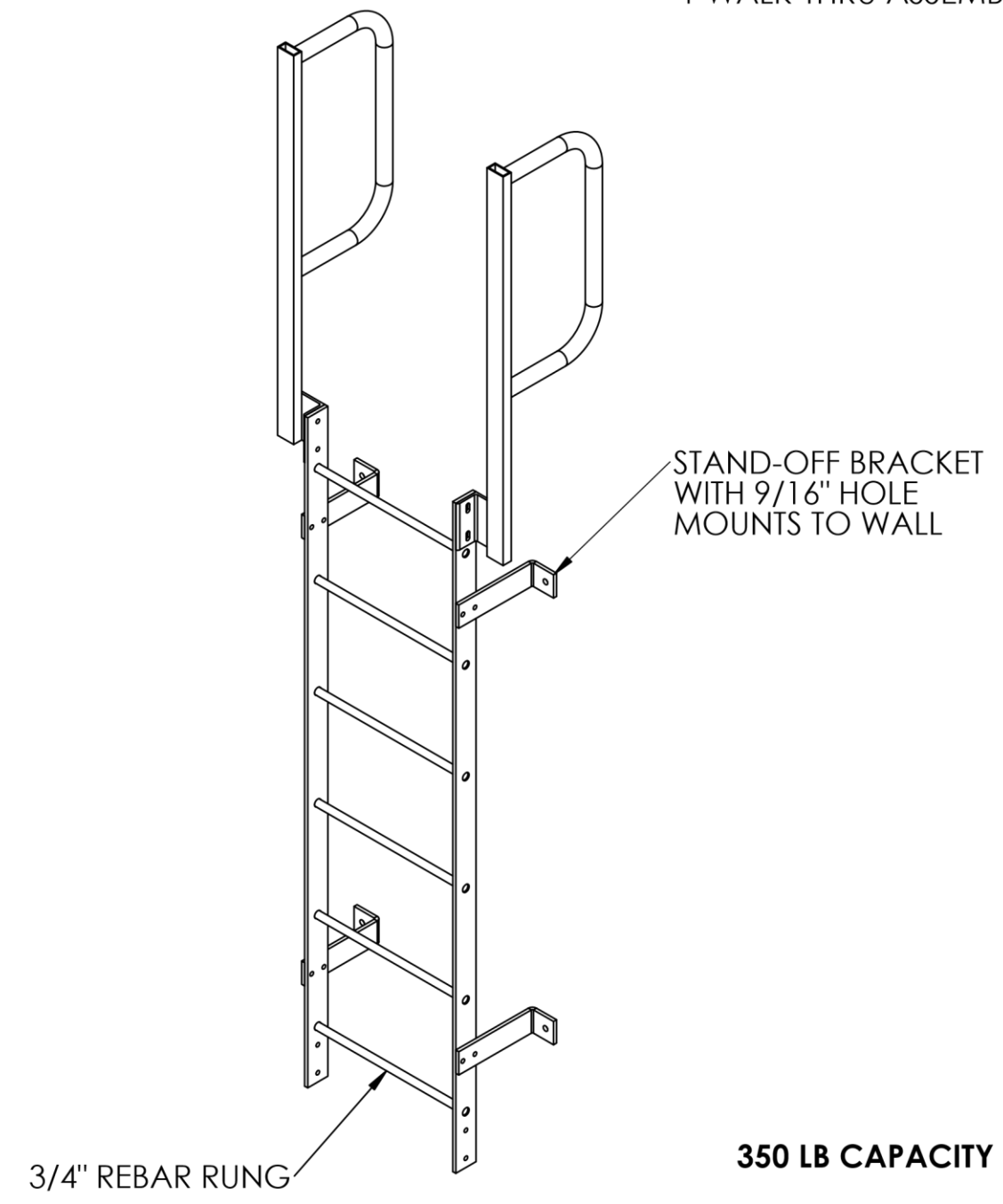
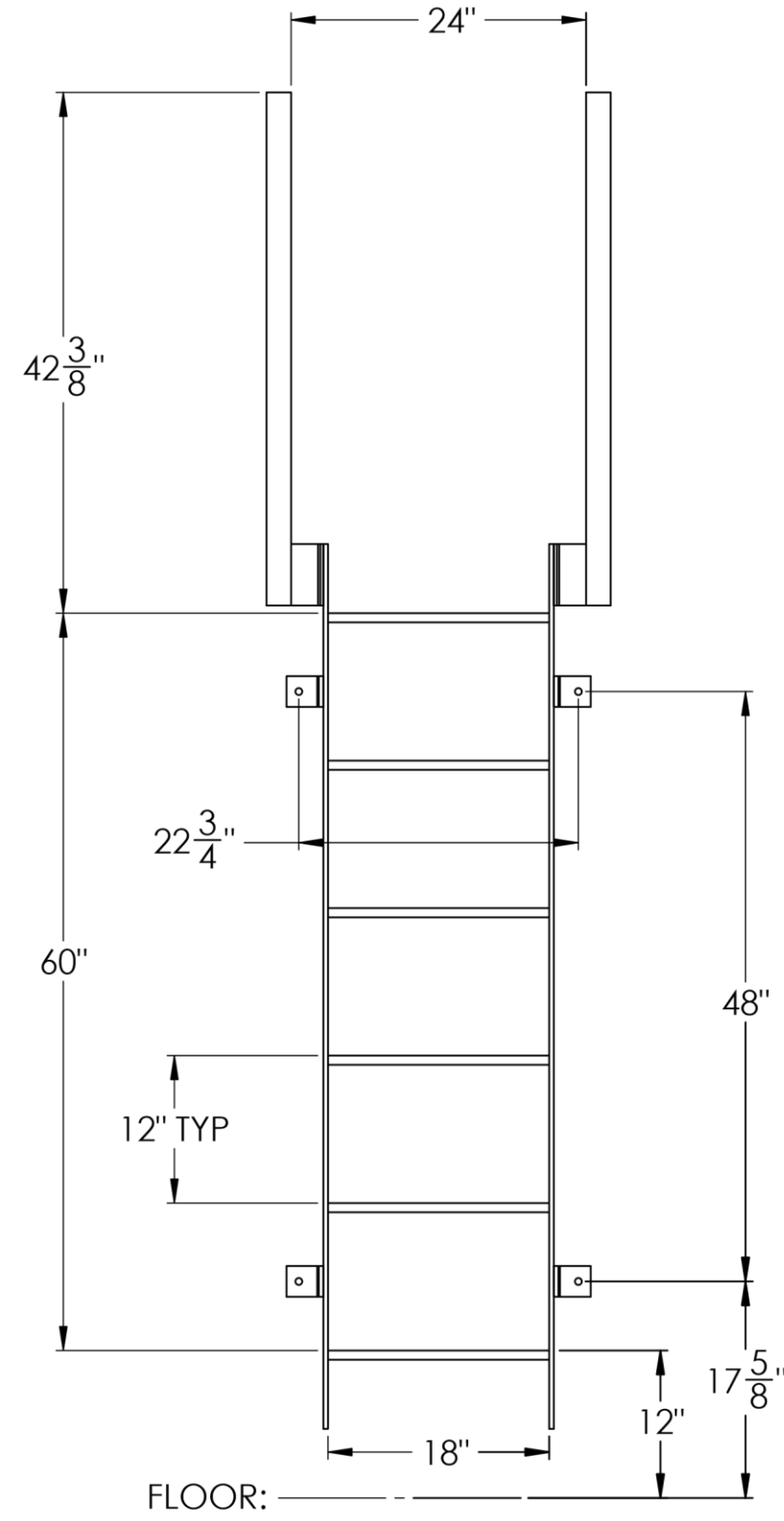
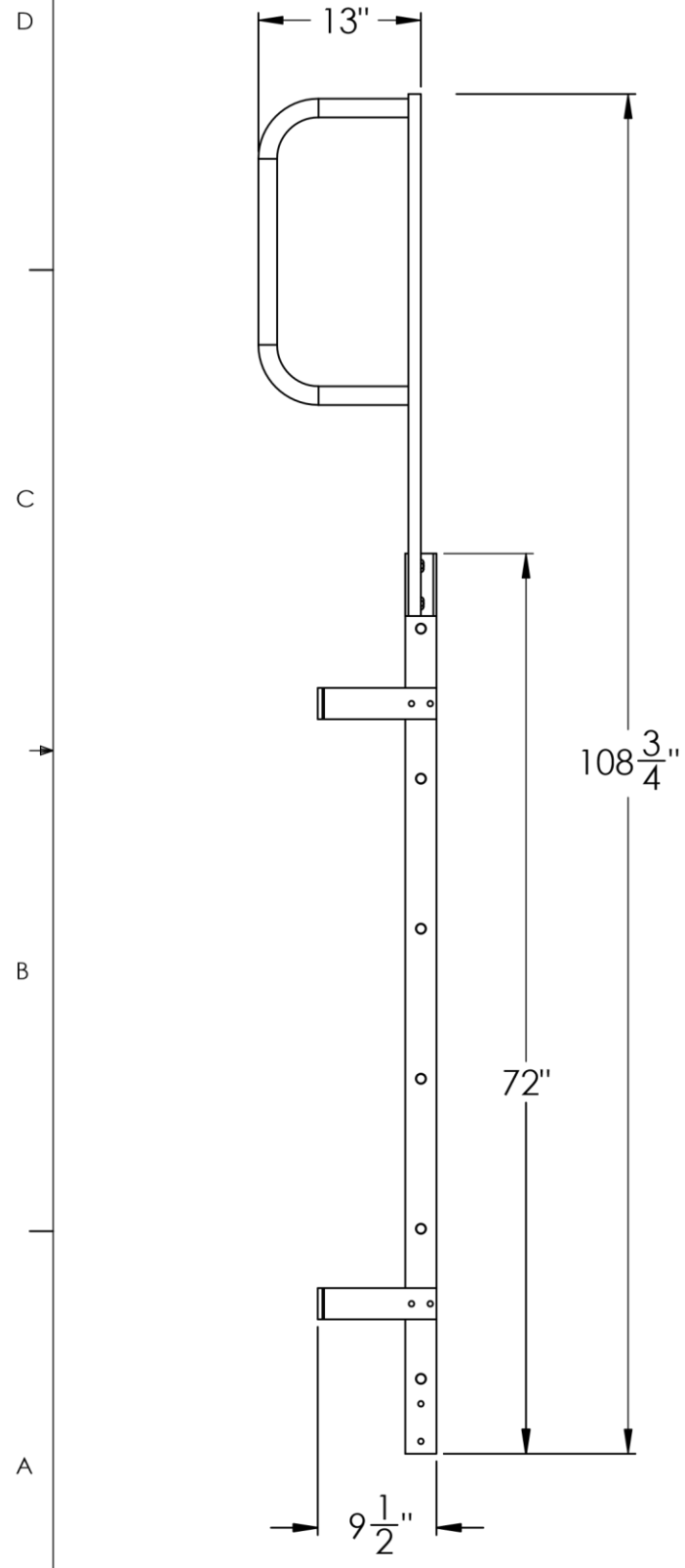


8 7 6 5 4 3 2 1

- WLFS0206-Y:
- 1 6-RUNG LADDER SECTION
 - 1 WALK-THRU ASSEMBLY



APPROVAL SIGNATURE:			TITLE: WLFS0206-Y		
DATE:			SIZE: B		
PROPRIETARY AND CONFIDENTIAL THE INFORMATION CONTAINED IN THIS DRAWING IS THE SOLE PROPERTY OF THE MANUFACTURER. ANY REPRODUCTION IN PART OR AS A WHOLE WITHOUT THE WRITTEN PERMISSION OF THE MANUFACTURER IS PROHIBITED.			LEAD TIME		DWG. NO. WLFS0206-Y
			MATERIAL Steel		REV 00
FINISH Gray		DO NOT SCALE DRAWING	DRAWN	KSR	5/23/22
			SCALE: 1:15	WEIGHT: 90.388	SHEET 1 OF 1

8 7 6 5 4 3 2 1