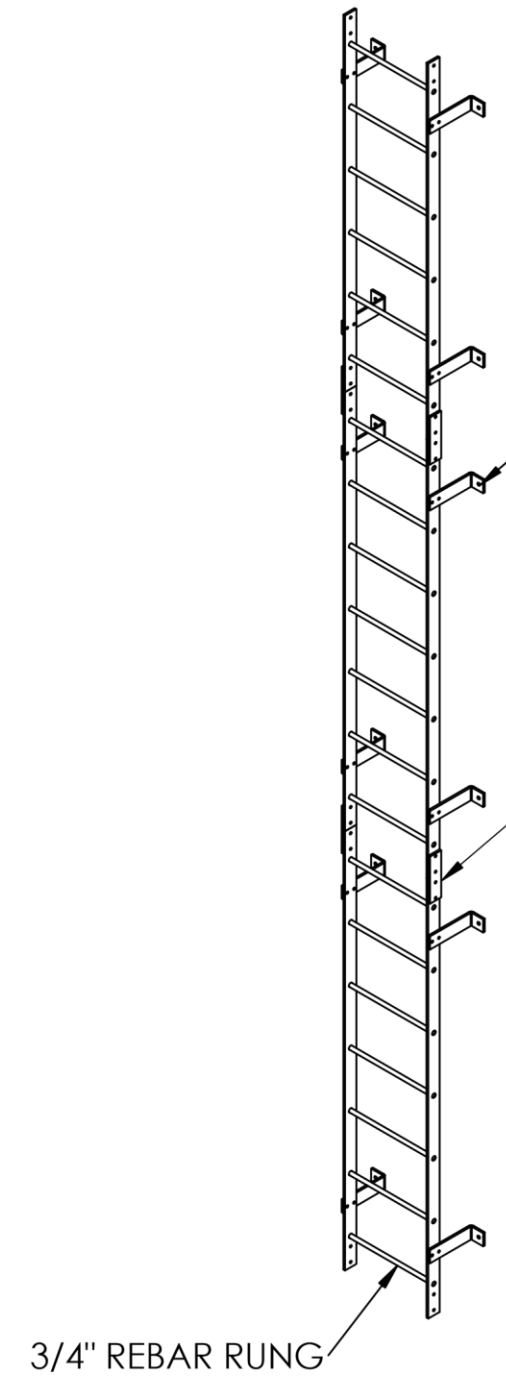
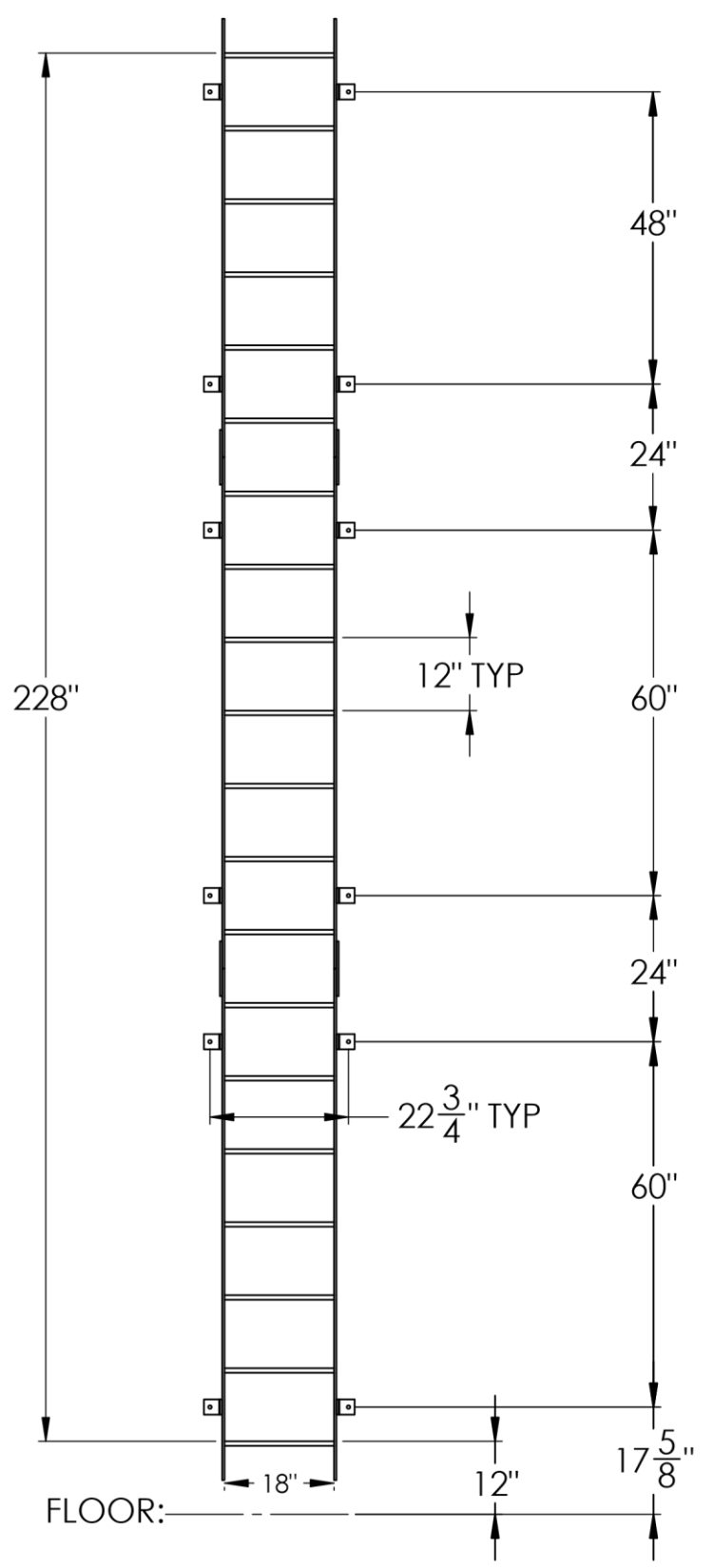
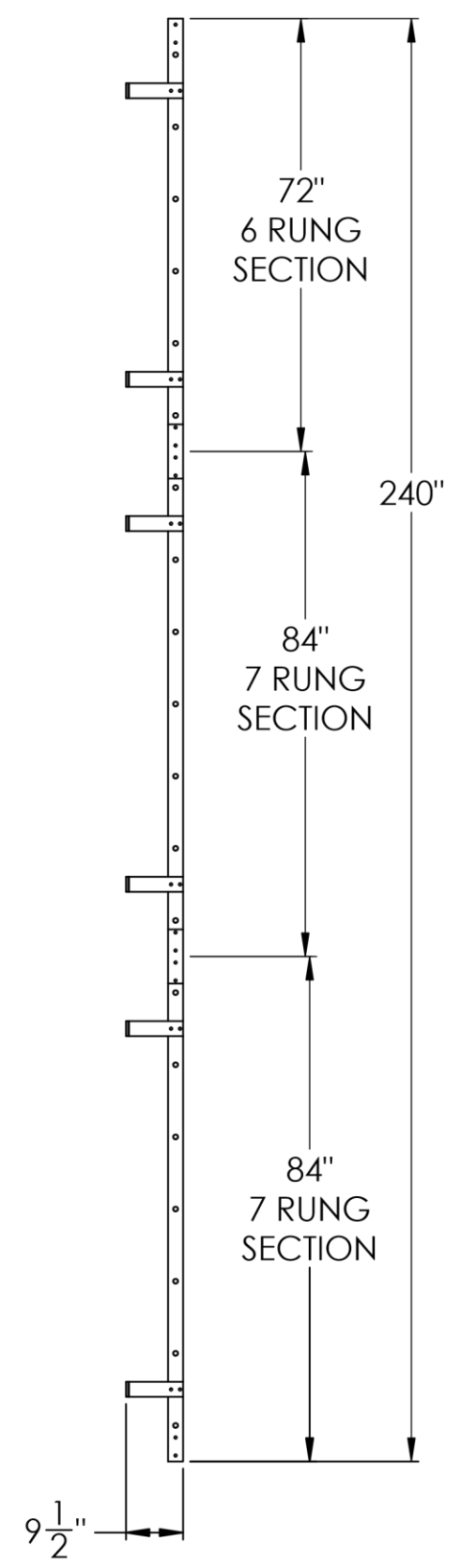


8 7 6 5 4 3 2 1

D
C
B
A



- WLFS0120-Y:
- 2 7-RUNG LADDER SECTIONS
 - 1 6-RUNG LADDER SECTION

350 LB CAPACITY

APPROVAL SIGNATURE:			TITLE: WLFS0120-Y		
DATE:			SIZE: B		
PROPRIETARY AND CONFIDENTIAL THE INFORMATION CONTAINED IN THIS DRAWING IS THE SOLE PROPERTY OF THE MANUFACTURER. ANY REPRODUCTION IN PART OR AS A WHOLE WITHOUT THE WRITTEN PERMISSION OF THE MANUFACTURER IS PROHIBITED.	LEAD TIME		DWG. NO. WLFS0120-Y		REV
	MATERIAL	DO NOT SCALE DRAWING		SCALE: 1:30	WEIGHT:
FINISH		DRAWN	KSR	6/1/22	SHEET 1 OF 1

8 7 6 5 4 3 2 1