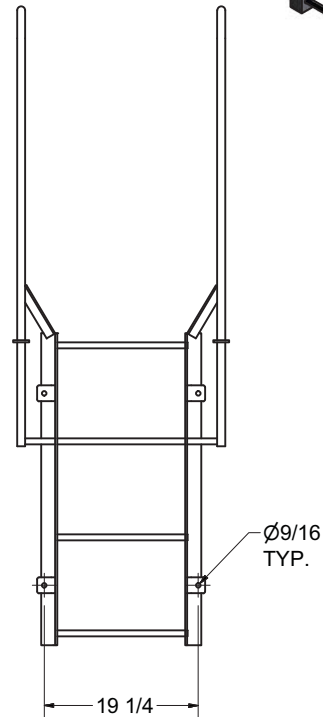
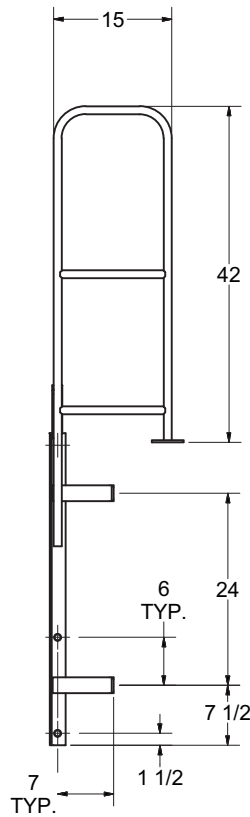
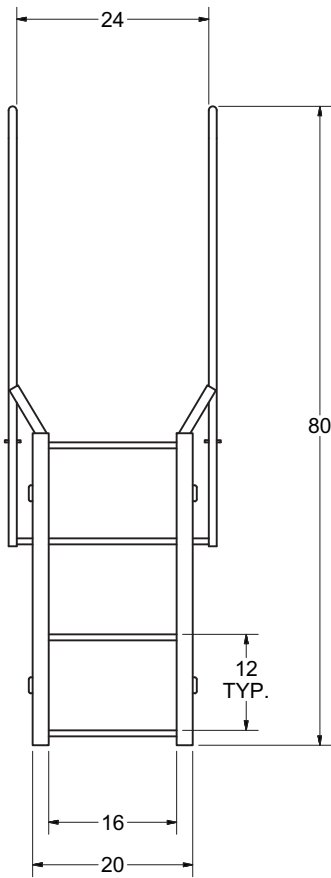


DETAIL A



NOTE:
 STANDOFF BRACKET LOCATIONS
 ARE $\pm 1"$.
 DO NOT PREDRILL HOLES IN THE
 STRUCTURE.
 HOLES SHOULD BE MATCH DRILLED
 TO INSURE PROPER ALIGNMENT

3D MODEL AVAILABLE IN STEP FILE FORMAT ON OUR WEBSITE



DRAWN KJS	7/2/2013		
CHECKED			
APPROVED		TITLE	
PART 3570222 F4W FOR CATALOG		F4W	
		Drawing is computer generated, and print might not be to scale	
SIZE C	DWG NO 3570222 F4W FOR CATALOG.dwg	REV A	
DIMENSIONS IN INCHES UNLESS NOTED			SHEET 1 OF 1