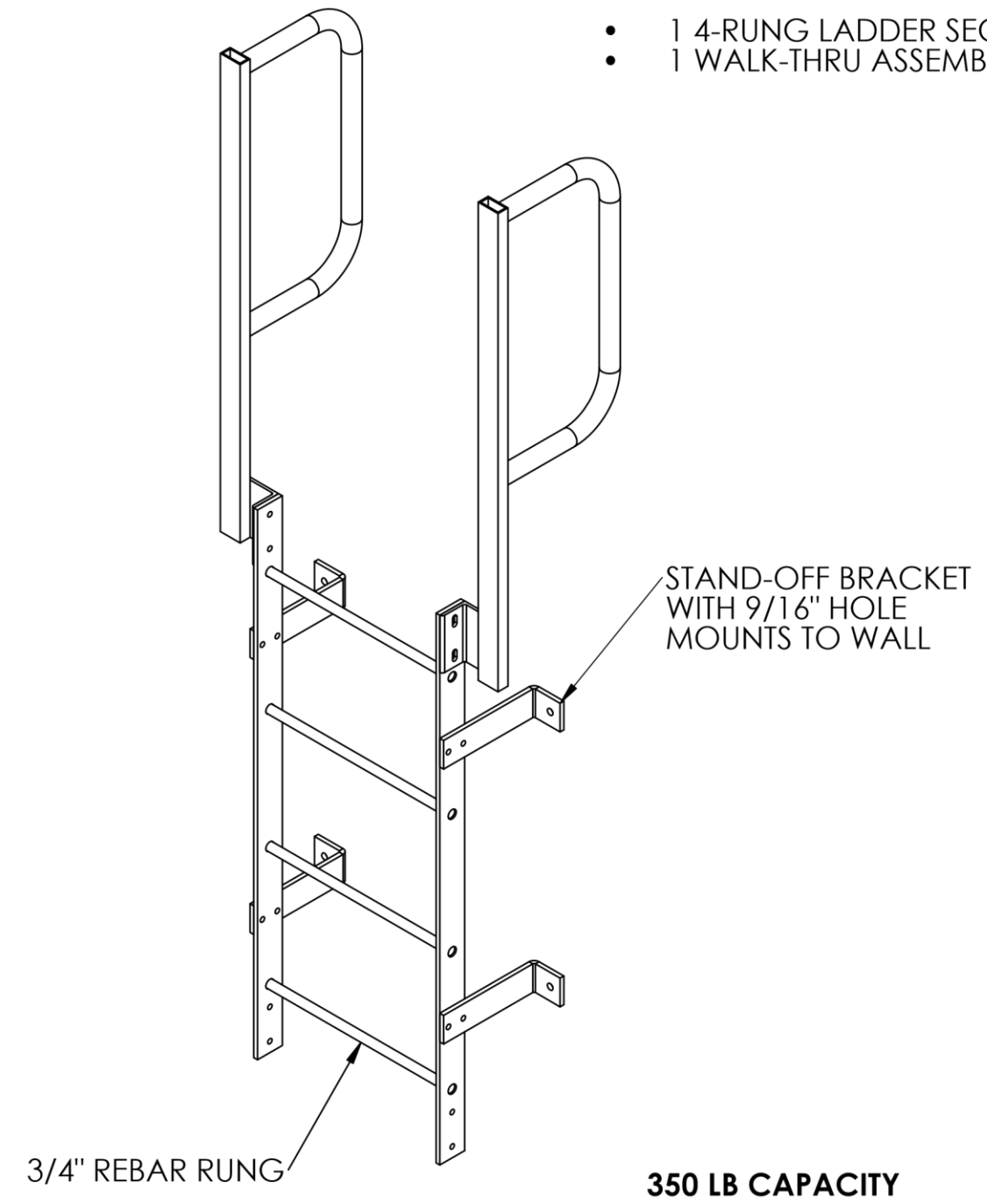
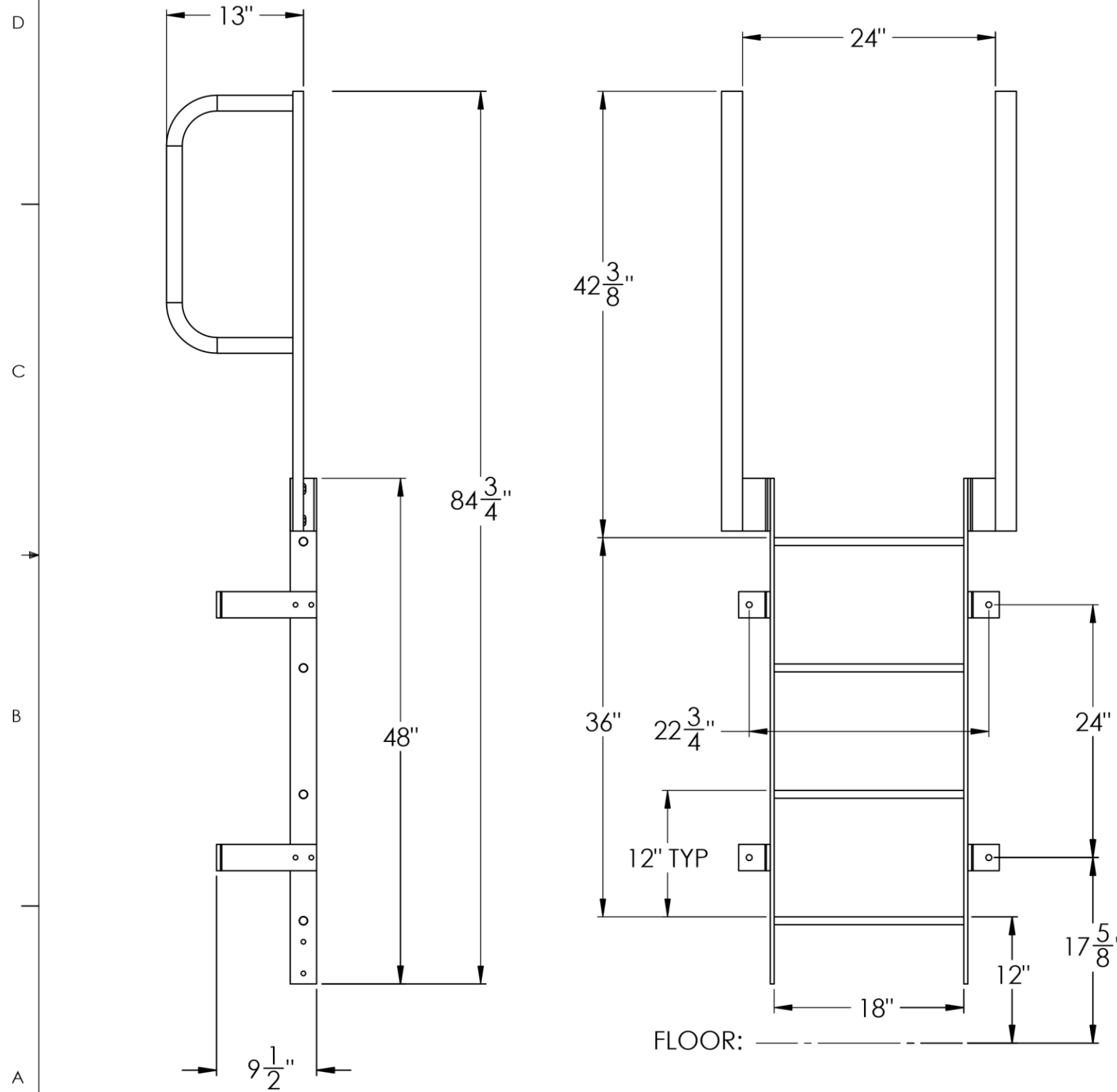


8 7 6 5 4 3 2 1

- WLFS0204-Y:
- 1 4-RUNG LADDER SECTION
  - 1 WALK-THRU ASSEMBLY



APPROVAL SIGNATURE:			TITLE: WLFS0204-Y		
DATE:			REV 00		
PROPRIETARY AND CONFIDENTIAL THE INFORMATION CONTAINED IN THIS DRAWING IS THE SOLE PROPERTY OF THE MANUFACTURER. ANY REPRODUCTION IN PART OR AS A WHOLE WITHOUT THE WRITTEN PERMISSION OF THE MANUFACTURER IS PROHIBITED.	LEAD TIME		SIZE <b>B</b>	DWG. NO. WLFS0204-Y	WEIGHT: 73.320
	MATERIAL Steel				
	FINISH Gray	DO NOT SCALE DRAWING	DRAWN KSR	5/23/22	SCALE: 12

8 7 6 5 4 3 2 1